

**NEW
PRODUCT
RANGE**



EBONY EXCEL RANGE CURRENT TRANSFORMERS

TE'S CROMPTON INSTRUMENTS



FEATURES

- CT ratios from 1A to 6000A with 5A and 1A secondary's
- Comprehensive range of class accuracy's
- Cost effective moulded case
- Wide range of system current ratings, busbar sizes, case dimensions and apertures
- Wall, cable, busbar and DIN rail mounting
- Hinged terminal covers



BENEFITS

- Wide range of apertures and case sizes
- Reduction of high currents for ease of metering
- Long product life

APPROVALS

- IEC 61869-2
- BS3938
- UL Recognised File No. E104604 (XL1A, XL1B, XL2C, XL3D, XL4D, XL7B models only)



EBONY EXCEL RANGE

TE's Crompton Instruments **Ebony Excel** and **Ebony Excel Plus** range of Current Transformers offer wide system current ratings, apertures, busbar and case sizes to suit every application. Manufactured to meet IEC61869-2, the range benefits include ratio rating from 1/5 to 6000/5, a comprehensive range of class accuracies, hinged wire sealable terminal covers for safety and multiple mounting options.

CONSTRUCTION

The toroidal core and secondary winding is encapsulated with UL94V-0 approved polycarbonate, in moulded case providing excellent mechanical strength and electrical insulation.

INSTALLATION OPTIONS

- Plug-in metal feet for wall or base mounting
- Moulded busbar mounting
- Primary copper busbar mounting
- Multi busbar mounting for two busbars
- Plastic DIN-rail adaptor for DIN-rail mounting (available as an option)

SPECIFICATION

Applicable Standards	IEC 61869-2, BS3839, UL recognised
Applicable Standards	10% glass filled polycarbonate Flame retardant grades classified UL94V-0
Connection	Two connections each side. M4 screws with self lifting clamp assembly
Insulation Class	E (120°C Maximum)
System Voltage	720V maximum
Test Voltage	4KV 50Hz for 1 min (Except for XL2 model where test voltage is 3KV 50Hz for 1 min)
Operating Frequency	50Hz or 60Hz
Rated secondary output	5A standard (1A on request)
Rated burden	1, 1.25, 1.5, 2.5, 3.75, 5, 7.5, 10, 12.5, 15, 20, 30, 45, 60, 100VA
Class of accuracy	0.5, 1, 3 Optional class 0.2, 0.2S & 0.5S
Ambient temperature	-20°C...+45°C
Storage temperature	-50°C...+80°C
Thermal short circuit current (Ith)	60 x In
Dynamic short circuit current (Idyn)	2.5 x Ith
Instrument security factor	5, 10, 15
Rated continuous thermal current	1,2 x in
Degree of protection	IP20

ACCURACY CLASSES

The **Ebony Excel** range includes a comprehensive range of class accuracies between 3, 1, & 0.5. Where higher accuracy classes are required, the **Ebony Excel Plus** range has class accuracies of 0.2, 0.2S and 0.5S.

APPLICATION NOTE:

In some cases, where CT model is marked with (*), to achieve class accuracy at low currents between 20A-40A, additional primary turns are required to achieve the required output. As such, these models are only suitable for cable conductors.



XLOA RANGE

Case size: 62 mm wide x 40 mm deep x 78 mm high

Primary Rating: 1 - 30A

Secondary Rating: 5A as below, 1A Ratio's available change part number to end in 1A e.g. XLOA-1/1A



Model Type	Primary current	Accuracy		Security Factor (ISF)	
		0.5	1	0.5	1
XLOA-1/5A	1A	2.5VA	5VA	10	5
XLOA-2.5/5A	2.5A	2.5VA	5VA	10	5
XLOA-5/5A	5A	2.5VA	5VA	10	5
XLOA-7.5/5A	7.5A	2.5VA	5VA	10	5
XLOA-10/5A	10A	2.5VA	5VA	10	5
XLOA-15/5A	15A	2.5VA	5VA	10	5
XLOA-20/5A	20A	2.5VA	5VA	10	5
XLOA-25/5A	25A	2.5VA	5VA	10	5
XLOA-30/5A	30A	2.5VA	5VA	10	5

XLOB RANGE

Case size: 74 mm wide x 45 mm deep x 98 mm high

Primary Rating: 1 - 60A

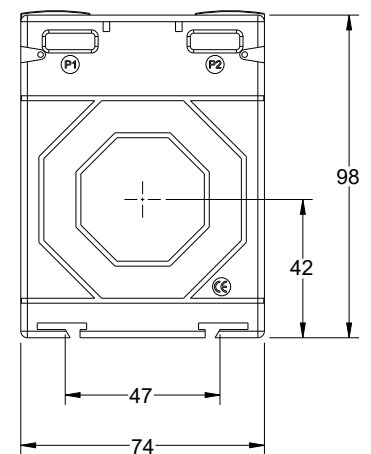
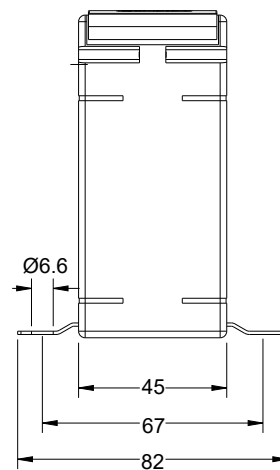
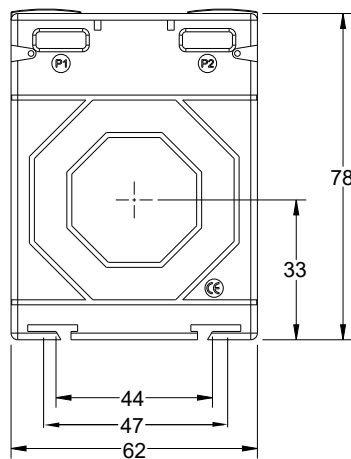
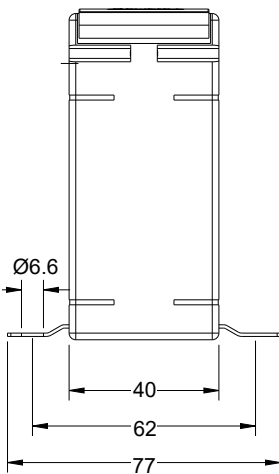
Secondary Rating: 5A as below, 1A Ratio's available change part number to end in 1A e.g. XLOB-1/1A



Model type	Primary current	Accuracy		Security Factor (ISF)	
		0.5	1	0.5	1
XLOB-1/5A	1A	5VA	10VA	10	5
XLOB-2.5/5A	2.5A	5VA	10VA	10	5
XLOB-5/5A	5A	5VA	10VA	10	5
XLOB-7.5/5A	7.5A	5VA	10VA	10	5
XLOB-10/5A	10A	5VA	10VA	10	5
XLOB-15/5A	15A	5VA	10VA	10	5
XLOB-20/5A	20A	5VA	10VA	10	5
XLOB-25/5A	25A	5VA	10VA	10	5
XLOB-30/5A	30A	5VA	10VA	10	5
XLOB-40/5A	40A	5VA	10VA	10	5
XLOB-50/5A	50A	5VA	10VA	10	5
XLOB-60/5A	60A	5VA	10VA	10	5

XLOA

XLOB





XL1A RANGE

Case size: 45 mm wide x 40 mm deep x 65 mm high

Aperture: Ø 14 mm

Primary Rating: 30 - 300A

Secondary Rating: 5A as below, 1A Ratio's available change part number to end in 1A e.g. XL1A-30/1A

Model type	Primary current	Accuracy			Security Factor (ISF)		
		0.5	1	3	0.5	1	3
XL1A-30/5A	30A	-	1VA	1.5VA	-	5	5
XL1A-40/5A	40A	-	1VA	1.5VA	-	5	5
XL1A-50/5A	50A	-	1.5VA	2.5VA	-	5	5
XL1A-60/5A	60A	-	1.5VA	2.5VA	-	5	5
XL1A-75/5A	75A	1.5VA	2.5VA	3.75VA	5	5	5
XL1A-80/5A	80A	1.5VA	2.5VA	3.75VA	5	5	5
XL1A-100/5A	100A	1.5VA	3.75VA	3.75VA	5	5	5
XL1A-120/5A	120A	2.5VA	3.75VA	5VA	5	5	5
XL1A-125/5A	125A	2.5VA	3.75VA	5VA	5	5	5
XL1A-150/5A	150A	2.5VA	5VA	5VA	5	5	5
XL1A-200/5A	200A	3.75VA	7.5VA	7.5VA	5	5	5
XL1A-250/5A	250A	5VA	7.5VA	10VA	5	5	5
XL1A-300/5A	300A	5VA	10VA	12.5VA	5	5	5



XL1B RANGE

Case size: 45 mm wide x 40 mm deep x 65 mm high

Aperture: 21 x 10 mm - Ø 21 mm

Primary Rating: 50 - 400A

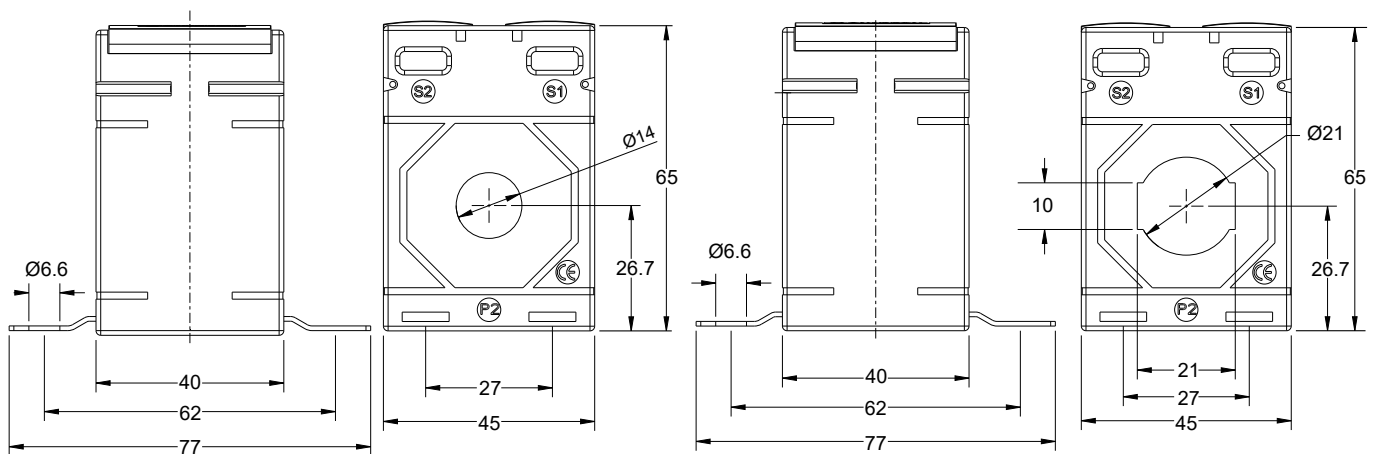
Secondary Rating: 5A as below, 1A Ratio's available change part number to end in 1A e.g. XL1B-50/1A



Model type	Primary current	Accuracy			Security Factor (ISF)		
		0.5	1	3	0.5	1	3
XL1B-50/5A	50A	-	1.5VA	2VA	-	5	5
XL1B-60/5A	60A	-	1.5VA	2VA	-	5	5
XL1B-75/5A	75A	-	2.5VA	3VA	-	5	5
XL1B-80/5A	80A	1VA	2.5VA	3VA	5	5	5
XL1B-100/5A	100A	1.5VA	3.75VA	3.75VA	5	5	5
XL1B-120/5A	120A	1.5VA	3.75VA	3.75VA	5	5	5
XL1B-125/5A	125A	2.5VA	3.75VA	5VA	5	5	5
XL1B-150/5A	150A	2.5VA	5VA	5VA	5	5	5
XL1B-200/5A	200A	3.75VA	5VA	5VA	5	5	5
XL1B-250/5A	250A	5VA	5VA	7.5VA	5	5	5
XL1B-300/5A	300A	5VA	5VA	7.5VA	5	5	5
XL1B-400/5A	400A	5VA	5VA	7.5VA	5	5	5

XL1A

XL1B



Busbar and Mounting feet fixings are supplied as standard.
DIN Rail Mounting Adapters available - Part Number XL-DRBRK-1





XL2A RANGE

Case size: 50 mm wide x 31 mm deep x 70 mm high

Aperture: Ø 14 mm

Primary Rating: 40 - 300A

Secondary Rating: 5A as below, 1A Ratio's available change part number to end in 1A e.g. XL2A-40/1A

Model type	Primary current	Accuracy			Security Factor (ISF)		
		0.5	1	3	0.5	1	3
XL2A-40/5A	40A	-	1VA	1.5VA	-	5	5
XL2A-50/5A	50A	-	1.5VA	2VA	-	5	5
XL2A-60/5A	60A	-	1.5VA	2VA	-	5	5
XL2A-75/5A	75A	-	1.5VA	2.5VA	-	5	5
XL2A-80/5A	80A	-	1.5VA	2.5VA	-	5	5
XL2A-100/5A	100A	2.5VA	3.75VA	5VA	5	5	5
XL2A-120/5A	120A	2.5VA	3.75VA	5VA	5	5	5
XL2A-125/5A	125A	2.5VA	3.75VA	5VA	5	5	5
XL2A-150/5A	150A	3.75VA	5VA	7.5VA	5	5	5
XL2A-160/5A	160A	3.75VA	5VA	7.5VA	5	5	5
XL2A-200/5A	200A	3.75VA	5VA	7.5VA	5	5	5
XL2A-250/5A	250A	5VA	7.5VA	7.5VA	5	5	5
XL2A-300/5A	300A	7.5VA	7.5VA	7.5VA	5	5	5



XL2B RANGE

Case size: 50 mm wide x 31 mm deep x 70 mm high

Aperture: 20.5 x 10.5 mm - Ø 21 mm

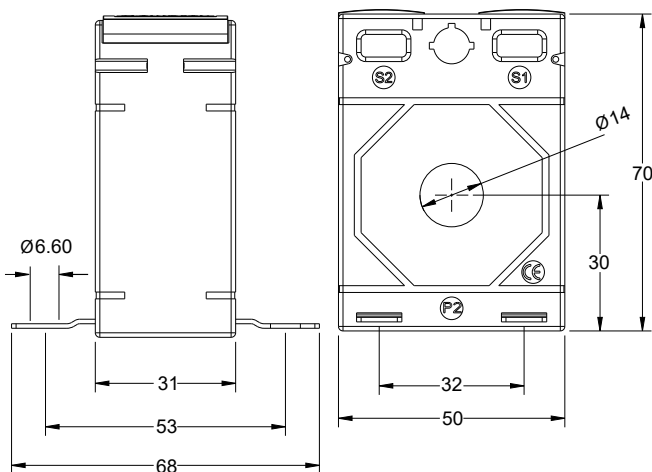
Primary Rating: 20 - 400A

Secondary Rating: 5A as below, 1A Ratio's available change part number to end in 1A e.g. XL2B-20/1A

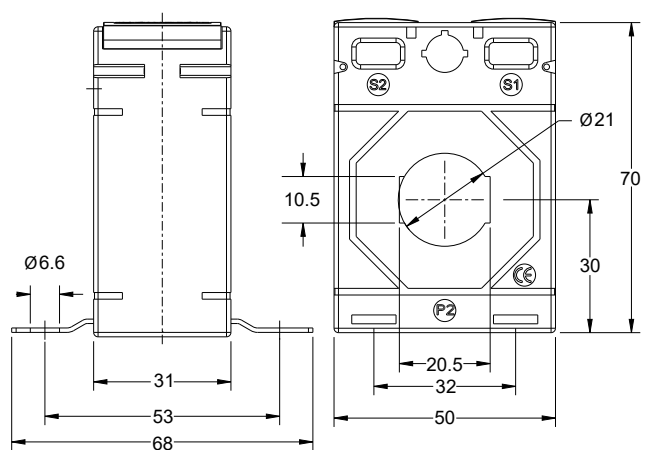
Model type	Primary current	Accuracy			Security Factor (ISF)		
		0.5	1	3	0.5	1	3
XL2B-20/5A (*)	20A	-	1VA	1VA	-	-	5
XL2B-30/5A (*)	30A	-	1VA	1VA	-	-	5
XL2B-40/5A (*)	40A	-	1VA	1VA	-	-	5
XL2B-50/5A	50A	-	1VA	2VA	-	5	5
XL2B-60/5A	60A	-	1VA	2VA	-	5	5
XL2B-75/5A	75A	-	1.5VA	2.5VA	-	5	5
XL2B-80/5A	80A	1VA	2.5VA	3.75VA	5	5	5
XL2B-100/5A	100A	1.5VA	2.5VA	3.75VA	5	5	5
XL2B-120/5A	120A	2.5VA	2.5VA	3.75VA	5	5	5
XL2B-125/5A	125A	2.5VA	3.75VA	5VA	5	5	5
XL2B-150/5A	150A	2.5VA	5VA	5VA	5	5	5
XL2B-160/5A	160A	2.5VA	5VA	5VA	5	5	5
XL2B-200/5A	200A	3.75VA	5VA	5VA	5	5	5
XL2B-250/5A	250A	5VA	5VA	5VA	5	5	5
XL2B-300/5A	300A	5VA	7.5VA	7.5VA	5	5	5
XL2B-400/5A	400A	5VA	7.5VA	7.5VA	5	5	5

*Application note: 20A with 3 primary turns, 30A & 40A with 2 primary turns

XL2A



XL2B



Busbar and Mounting feet fixings are supplied as standard.
DIN Rail Mounting Adapters available - Part Number XL-DRBRK-2



XL2C RANGE

Case size: 50 mm wide x 31 mm deep x 70 mm high
Aperture: 30.5 x 10.5 mm - 25.5 x 15.5 mm - Ø 26 mm
Primary Rating: 20 - 600A
Secondary Rating: 5A as below, 1A Ratio's available change part number to end in 1A e.g. XL2C-20/1A

Model type	Primary current	Accuracy			Security Factor (ISF)		
		0.5	1	3	0.5	1	3
XL2C-20/5A (*)	20A	-	1VA	1.5VA	-	5	5
XL2C-40/5A (*)	40A	-	1VA	1.5VA	-	5	5
XL2C-75/5A	75A	-	1VA	1.5VA	-	5	5
XL2C-80/5A	80A	-	1.5VA	2VA	-	5	5
XL2C-100/5A	100A	1VA	2.5VA	2.5VA	5	5	5
XL2C-120/5A	120A	1VA	2.5VA	3VA	5	5	5
XL2C-125/5A	125A	1VA	2.5VA	3VA	5	5	5
XL2C-150/5A	150A	2.5VA	3.75VA	3.75VA	5	5	5
XL2C-160/5A	160A	2.5VA	3.75VA	3.75VA	5	5	5
XL2C-200/5A	200A	2.5VA	5VA	5VA	5	5	5
XL2C-250/5A	250A	5VA	5VA	6.25VA	5	5	5
XL2C-300/5A	300A	5VA	5VA	6.25VA	5	5	5
XL2C-400/5A	400A	5VA	6.25VA	6.25VA	5	5	5
XL2C-500/5A	500A	5VA	6.25VA	7.5VA	5	5	5
XL2C-600/5A	600A	5VA	7.5VA	10VA	5	5	5

*Application note: 20A with 4 primary turns, 40A with 2 primary turns

Busbar and Mounting feet fixings are supplied as standard.
 DIN Rail Mounting Adapters available - Part Number XL-DRBRK-2

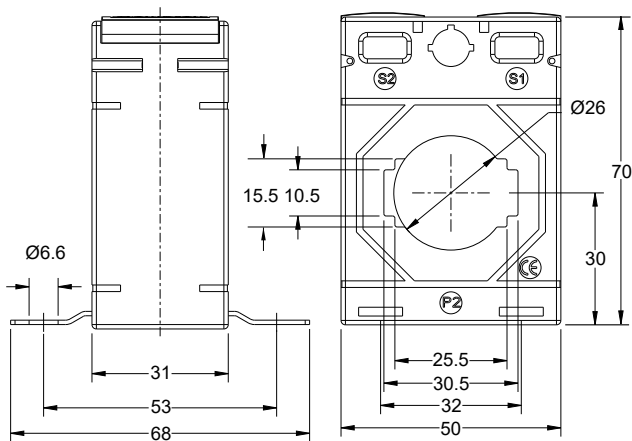


XL2D RANGE

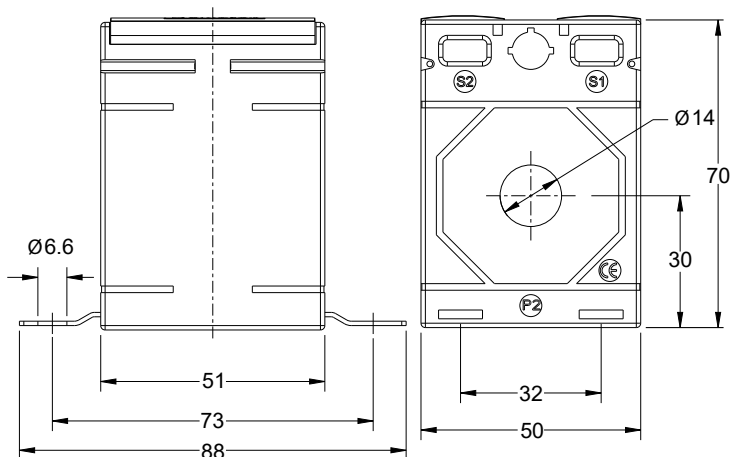
Case size: 50 mm wide x 51 mm deep x 70 mm high
Aperture: Ø 14 mm
Primary Rating: 30 - 300A
Secondary Rating: 5A as below, 1A Ratio's available change part number to end in 1A e.g. XL2D-30/1A

Model type	Primary current	Accuracy			Security Factor (ISF)		
		0.5	1	3	0.5	1	3
XL2D-30/5A	30A	-	1VA	1VA	-	5	5
XL2D-40/5A	40A	-	1VA	1VA	-	5	5
XL2D-50/5A	50A	1.5VA	1.5VA	2VA	5	5	5
XL2D-60/5A	60A	1.5VA	1.5VA	2.5VA	5	5	5
XL2D-75/5A	75A	2.5VA	5VA	5VA	5	5	5
XL2D-80/5A	80A	2.5VA	5VA	7.5VA	5	5	5
XL2D-100/5A	100A	3.75VA	5VA	7.5VA	5	5	5
XL2D-120/5A	120A	3.75VA	5VA	7.5VA	5	5	5
XL2D-125/5A	125A	3.75VA	5VA	7.5VA	5	5	5
XL2D-150/5A	150A	5VA	7.5VA	10VA	5	5	5
XL2D-200/5A	200A	7.5VA	10VA	12.5VA	5	5	5
XL2D-250/5A	250A	10VA	12.5VA	15VA	5	5	5
XL2D-300/5A	300A	10VA	12.5VA	15VA	5	5	5

XL2C



XL2D





XL2E RANGE

Case size: 50 mm wide x 51 mm deep x 70 mm high

Aperture: 20.5 x 10.5 mm - Ø 21 mm

Primary Rating: 50 - 400A

Secondary Rating: 5A as below, 1A Ratio's available change part number to end in 1A e.g. XL2E-50/1A

Model type	Primary current	Accuracy			Security Factor (ISF)		
		0.5	1	3	0.5	1	3
XL2E-50/5A	50A	1VA	2.5VA	3VA	10	5	5
XL2E-60/5A	60A	1VA	3.75VA	3.75VA	10	5	5
XL2E-75/5A	75A	1.5VA	3.75VA	3.75VA	5	5	5
XL2E-80/5A	80A	2.5VA	5VA	5VA	5	5	5
XL2E-100/5A	100A	2.5VA	5VA	7.5VA	5	5	5
XL2E-120/5A	120A	3.75VA	5VA	7.5VA	5	5	5
XL2E-125/5A	125A	5VA	5VA	7.5VA	5	5	5
XL2E-150/5A	150A	5VA	10VA	10VA	5	5	5
XL2E-200/5A	200A	10VA	12.5VA	12.5VA	5	5	5
XL2E-250/5A	250A	10VA	15VA	15VA	5	5	5
XL2E-300/5A	300A	7.5VA	12.5VA	15VA	5	5	5
XL2E-400/5A	400A	10VA	15VA	15VA	5	5	5



XL2F RANGE

Case size: 51 mm wide x 52 mm deep x 70 mm high

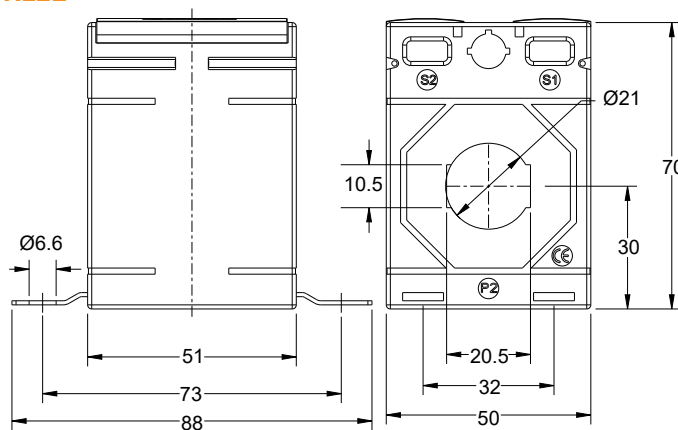
Aperture: 30.5 x 10.5 mm - 25.5 x 15.5 mm - Ø 26 mm

Primary Rating: 50 - 600A

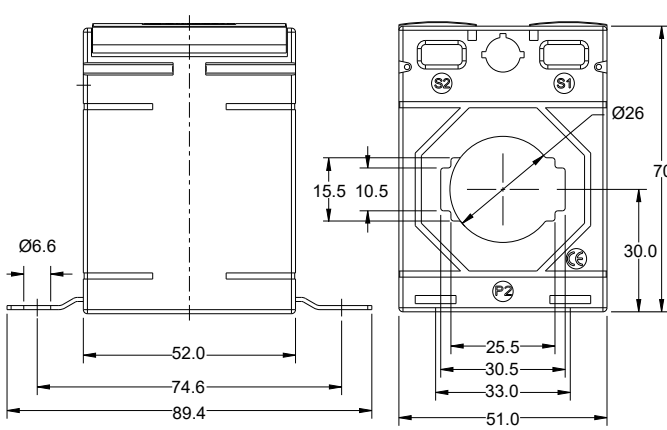
Secondary Rating: 5A as below, 1A Ratio's available change part number to end in 1A e.g. XL2F-50/1A

Model type	Primary current	Accuracy			Security Factor (ISF)		
		0.5	1	3	0.5	1	3
XL2F-50/5A	50A	-	1.5VA	1.5VA	-	5	5
XL2F-60/5A	60A	-	1.5VA	2VA	-	5	5
XL2F-75/5A	75A	-	2.5VA	2.5VA	-	5	5
XL2F-80/5A	80A	-	2.5VA	3.75VA	-	5	5
XL2F-100/5A	100A	1VA	3.75VA	3.75VA	5	5	5
XL2F-120/5A	120A	2.5VA	5VA	5VA	5	5	5
XL2F-125/5A	125A	2.5VA	5VA	5VA	5	5	5
XL2F-150/5A	150A	5VA	5VA	7.5VA	5	5	5
XL2F-200/5A	200A	5VA	7.5VA	10VA	5	5	5
XL2F-250/5A	250A	5VA	10VA	10VA	5	5	5
XL2F-300/5A	300A	5VA	10VA	10VA	5	5	5
XL2F-400/5A	400A	10VA	12.5VA	12.5VA	5	5	5
XL2F-500/5A	500A	10VA	12.5VA	15VA	5	5	5
XL2F-600/5A	600A	10VA	15VA	15VA	5	5	5

XL2E



XL2F





XL3A RANGE

Case size: 62 mm wide x 40 mm deep x 78 mm high

Aperture: Ø 22.5 mm

Primary Rating: 50 - 600A

Secondary Rating: 5A as below, 1A Ratio's available change part number to end in 1A e.g. XL3A-50/1A

Model type	Primary current	Accuracy			Security Factor (ISF)		
		0.5	1	3	0.5	1	3
XL3A-50/5A	50A	-	1.5VA	2.5VA	-	5	5
XL3A-60/5A	60A	-	2.5VA	3.75VA	-	5	5
XL3A-75/5A	75A	1.5VA	2.5VA	3.75VA	5	5	5
XL3A-80/5A	80A	2.5VA	2.5VA	3.75VA	5	5	5
XL3A-100/5A	100A	2.5VA	5VA	7.5VA	5	5	5
XL3A-120/5A	120A	3.75VA	5VA	7.5VA	5	5	5
XL3A-125/5A	125A	3.75VA	5VA	7.5VA	5	5	5
XL3A-150/5A	150A	5VA	7.5VA	10VA	5	5	5
XL3A-200/5A	200A	7.5VA	10VA	12.5VA	5	5	5
XL3A-250/5A	250A	10VA	15VA	15VA	5	5	5
XL3A-300/5A	300A	10VA	15VA	15VA	5	5	5
XL3A-400/5A	400A	15VA	15VA	20VA	5	5	5
XL3A-500/5A	500A	15VA	15VA	20VA	5	5	5
XL3A-600/5A	600A	15VA	15VA	20VA	5	5	5



XL3B RANGE

Case size: 62 mm wide x 40 mm deep x 78 mm high

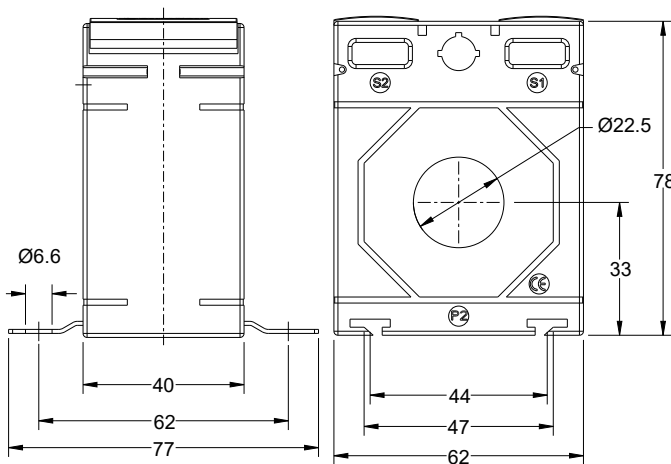
Aperture: 20.5 x 12.5 mm - 15.5 x 15.5 mm

Primary Rating: 50 - 500A

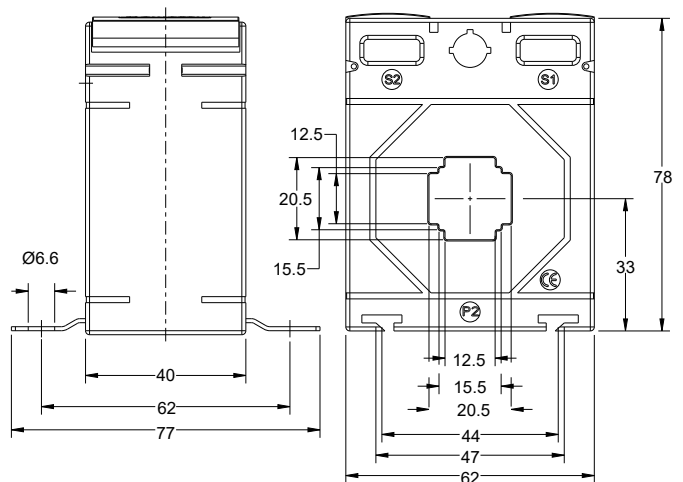
Secondary Rating: 5A as below, 1A Ratio's available change part number to end in 1A e.g. XL3B-50/1A

Model type	Primary current	Accuracy			Security Factor (ISF)		
		0.5	1	3	0.5	1	3
XL3B-50/5A	50A	-	1.5VA	2.5VA	-	5	5
XL3B-60/5A	60A	-	2.5VA	3.75VA	-	5	5
XL3B-75/5A	75A	1.5VA	3.75VA	3.75VA	5	5	5
XL3B-80/5A	80A	2.5VA	3.75VA	3.75VA	5	5	5
XL3B-100/5A	100A	2.5VA	5VA	7.5VA	5	5	5
XL3B-120/5A	120A	3.75VA	5VA	7.5VA	5	5	5
XL3B-125/5A	125A	3.75VA	5VA	7.5VA	5	5	5
XL3B-150/5A	150A	5VA	7.5VA	10VA	5	5	5
XL3B-200/5A	200A	7.5VA	10VA	12.5VA	5	5	5
XL3B-250/5A	250A	10VA	15VA	15VA	5	5	5
XL3B-300/5A	300A	15VA	15VA	15VA	5	5	5
XL3B-400/5A	400A	15VA	15VA	20VA	5	5	5
XL3B-500/5A	500A	15VA	15VA	20VA	5	5	5

XL3A



XL3B



Busbar and Mounting feet fixings are supplied as standard.
DIN Rail Mounting Adapters available - Part Number XL-DRBRK-3



XL3C RANGE

Case size: 62 mm wide x 40 mm deep x 78 mm high

Aperture: 31 x 11 mm - 26 x 21 mm - Ø 30.5 mm

Primary Rating: 50 - 800

Secondary Rating: 5A as below, 1A Ratio's available change part number to end in 1A e.g. XL3C-50/1A

Model type	Primary current	Accuracy			Security Factor (ISF)		
		0.5	1	3	0.5	1	3
XL3C-50/5A	50A	-	1.25VA	2VA	-	5	5
XL3C-60/5A	60A	-	1.5VA	2VA	-	5	5
XL3C-75/5A	75A	-	2VA	2.5VA	-	5	5
XL3C-80/5A	80A	-	2VA	2.5VA	-	5	5
XL3C-100/5A	100A	1.5VA	3.75VA	3.75VA	5	5	5
XL3C-120/5A	120A	2.5VA	3.75VA	5VA	5	5	5
XL3C-125/5A	125A	2.5VA	3.75VA	5VA	5	5	5
XL3C-150/5A	150A	3.75VA	7.5VA	7.5VA	5	5	5
XL3C-200/5A	200A	5VA	10VA	10VA	5	5	5
XL3C-250/5A	250A	5VA	10VA	15VA	5	5	5
XL3C-300/5A	300A	10VA	15VA	15VA	5	5	5
XL3C-400/5A	400A	12.5VA	15VA	15VA	5	5	5
XL3C-500/5A	500A	12.5VA	15VA	15VA	5	5	5
XL3C-600/5A	600A	15VA	20VA	20VA	5	5	5
XL3C-750/5A	750A	15VA	15VA	20VA	5	5	5
XL3C-800/5A	800A	15VA	15VA	20VA	5	5	5



XL3D RANGE

Case size: 62 mm wide x 40 mm deep x 78 mm high

Aperture: 40.5 x 11 mm - 31 x 21 mm - Ø 31 mm

Primary Rating: 100 - 800A

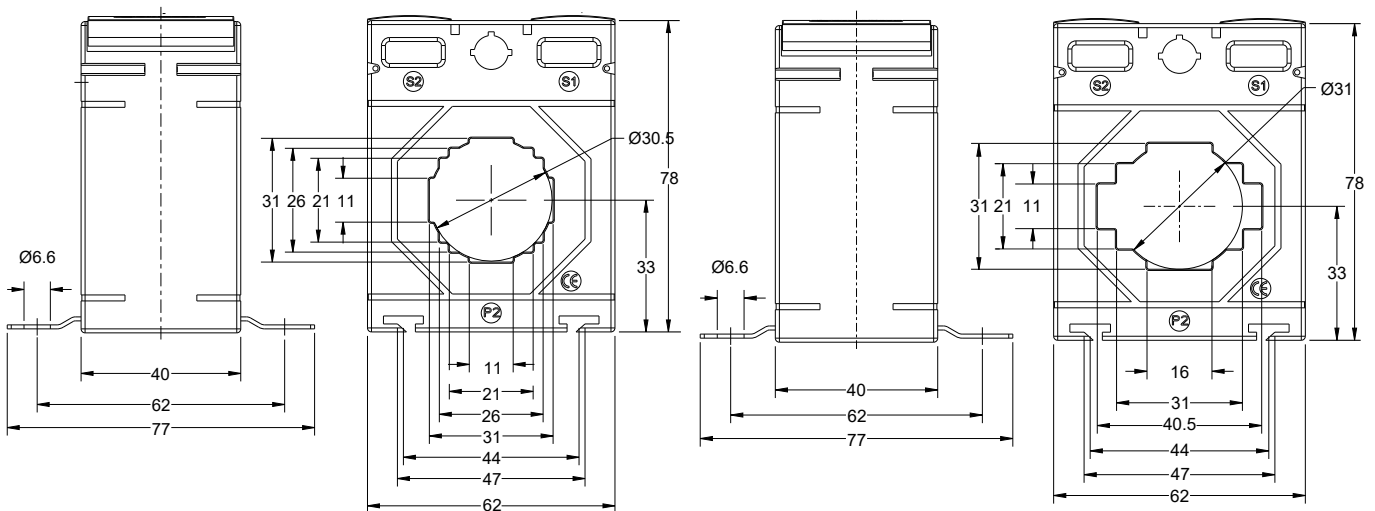
Secondary Rating: 5A as below, 1A Ratio's available change part number to end in 1A e.g. XL3D-100/1A



Model type	Primary current	Accuracy			Security Factor (ISF)		
		0.5	1	3	0.5	1	3
XL3D-100/5A	100A	-	1.5VA	1.5VA	-	5	5
XL3D-120/5A	120A	-	1.5VA	2.5VA	-	5	5
XL3D-125/5A	125A	-	1.5VA	2.5VA	-	5	5
XL3D-150/5A	150A	-	2.5VA	3VA	-	5	5
XL3D-200/5A	200A	1.5VA	3.75VA	3.75VA	5	5	5
XL3D-250/5A	250A	2.5VA	5VA	5VA	5	5	5
XL3D-300/5A	300A	5VA	5VA	5VA	5	5	5
XL3D-400/5A	400A	5VA	5VA	7.5VA	5	5	5
XL3D-500/5A	500A	5VA	7.5VA	10VA	5	5	5
XL3D-600/5A	600A	7.5VA	10VA	12.5VA	5	5	5
XL3D-750/5A	750A	10VA	10VA	12.5VA	5	5	5
XL3D-800/5A	800A	10VA	10VA	12.5VA	5	5	5

XL3C

XL3D



Busbar and Mounting feet fixings are supplied as standard.
DIN Rail Mounting Adapters available - Part Number XL-DRBRK-3



XL3E RANGE

Case size: 62 mm wide x 51 mm deep x 78 mm high

Aperture: 30.5 x 10.5 mm - Ø 28 mm

Primary Rating: 40 - 800A

Secondary Rating: 5A as below, 1A Ratio's available change part number to end in 1A e.g. XL3E-40/1A

Model type	Primary current	Accuracy			Security Factor (ISF)		
		0.5	1	3	0.5	1	3
XL3E-40/5A	40A	-	1VA	1VA	-	10	10
XL3E-50/5A	50A	-	1.5VA	2.5VA	-	5	5
XL3E-60/5A	60A	-	2.5VA	3.75VA	-	5	5
XL3E-75/5A	75A	2.5VA	2.5VA	3.75VA	5	5	5
XL3E-80/5A	80A	2.5VA	3.75VA	5VA	5	5	5
XL3E-100/5A	100A	2.5VA	5VA	7.5VA	5	5	5
XL3E-120/5A	120A	5VA	5VA	7.5VA	5	5	5
XL3E-125/5A	125A	5VA	5VA	7.5VA	5	5	5
XL3E-150/5A	150A	5VA	7.5VA	10VA	5	5	5
XL3E-200/5A	200A	10VA	15VA	15VA	5	5	5
XL3E-250/5A	250A	15VA	15VA	20VA	5	5	5
XL3E-300/5A	300A	15VA	15VA	20VA	5	5	5
XL3E-400/5A	400A	15VA	30VA	30VA	5	5	5
XL3E-500/5A	500A	15VA	30VA	30VA	5	5	5
XL3E-600/5A	600A	20VA	30VA	30VA	5	5	5
XL3E-750/5A	750A	20VA	30VA	30VA	5	5	5
XL3E-800/5A	800A	20VA	30VA	35VA	5	5	5



XL4A RANGE

Case size: 74 mm wide x 45 mm deep x 98 mm high

Aperture: 21 x 11 mm - 15.5 X 15.5 mm- Ø 20.4 mm

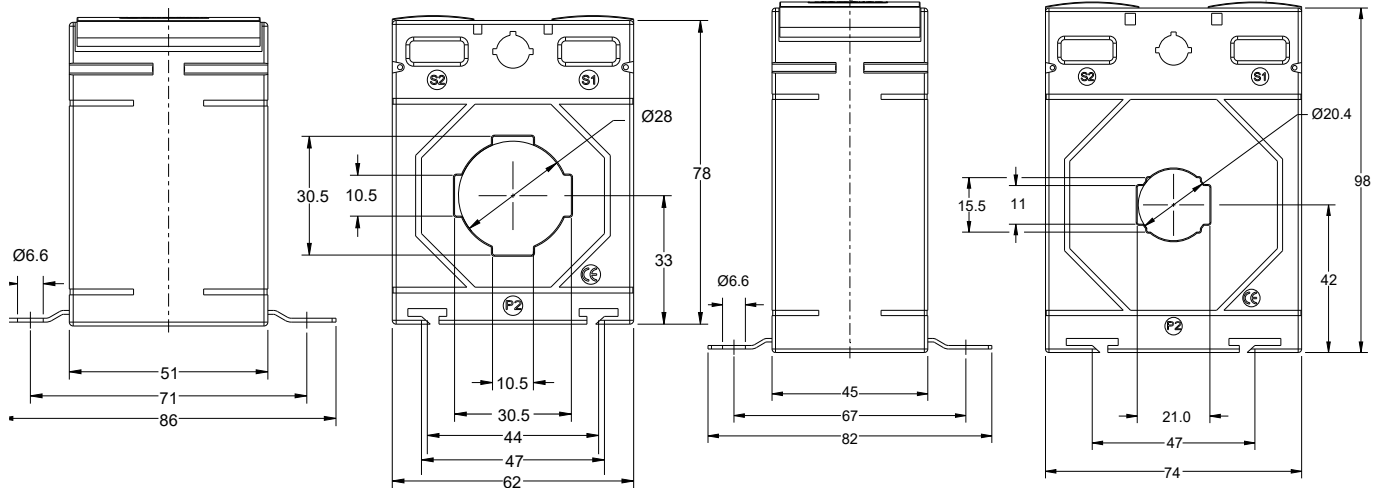
Primary Rating: 40 - 500A

Secondary Rating: 5A as below, 1A Ratio's available change part number to end in 1A e.g. XL4A-40/1A

Model type	Primary current	Accuracy			Security Factor (ISF)		
		0.5	1	3	0.5	1	3
XL4A-40/5A	40A	-	1.5VA	2VA	-	10	10
XL4A-50/5A	50A	1VA	2.5VA	3.75VA	10	10	10
XL4A-60/5A	60A	1VA	3.75VA	5VA	5	5	5
XL4A-75/5A	75A	1.5VA	5VA	7.5VA	15	5	5
XL4A-80/5A	80A	2.5VA	5VA	7.5VA	15	5	5
XL4A-100/5A	100A	5VA	7.5VA	10VA	10	5	5
XL4A-120/5A	120A	5VA	10VA	12.5VA	10	5	5
XL4A-125/5A	125A	5VA	10VA	12.5VA	10	5	5
XL4A-150/5A	150A	7.5VA	12.5VA	15VA	10	5	5
XL4A-200/5A	200A	10VA	15VA	20VA	5	5	5
XL4A-250/5A	250A	10VA	15VA	20VA	5	5	5
XL4A-300/5A	300A	15VA	15VA	20VA	5	5	5
XL4A-400/5A	400A	15VA	20VA	20VA	5	5	5
XL4A-500/5A	500A	15VA	15VA	25VA	5	5	5

XL3E

XL4A





XL4B RANGE

Case size: 74 mm wide x 45 mm deep x 98 mm high

Aperture: 31 x 15 mm - 21 x 21 mm - Ø 26 mm

Primary Rating: 40 - 800A

Secondary Rating: 5A as below, 1A Ratio's available change part number to end in 1A e.g. XL4B-40/1A

Model type	Primary current	Accuracy			Security Factor (ISF)		
		0.5	1	3	0.5	1	3
XL4B-40/5A	40A	-	1.5VA	1.5VA	-	10	10
XL4B-50/5A	50A	-	1.5VA	2.5VA	-	10	10
XL4B-60/5A	60A	-	2.5VA	3.75VA	-	5	5
XL4B-75/5A	75A	1.5VA	2.5VA	3.75VA	10	5	10
XL4B-80/5A	80A	1.5VA	3.75VA	5VA	10	5	5
XL4B-100/5A	100A	2.5VA	5VA	7.5VA	10	5	5
XL4B-120/5A	120A	2.5VA	5VA	7.5VA	10	5	5
XL4B-125/5A	125A	2.5VA	5VA	7.5VA	10	5	5
XL4B-150/5A	150A	5VA	7.5VA	10VA	5	5	5
XL4B-200/5A	200A	10VA	15VA	15VA	5	5	5
XL4B-250/5A	250A	10VA	15VA	15VA	5	5	5
XL4B-300/5A	300A	10VA	15VA	15VA	5	5	5
XL4B-400/5A	400A	15VA	20VA	25VA	5	5	5
XL4B-500/5A	500A	15VA	20VA	25VA	5	5	5
XL4B-600/5A	600A	15VA	20VA	25VA	5	5	5
XL4B-750/5A	750A	20VA	30VA	30VA	5	5	5
XL4B-800/5A	800A	30VA	30VA	35VA	5	5	5



XL4C RANGE

Case size: 74 mm wide x 45 mm deep x 98 mm high

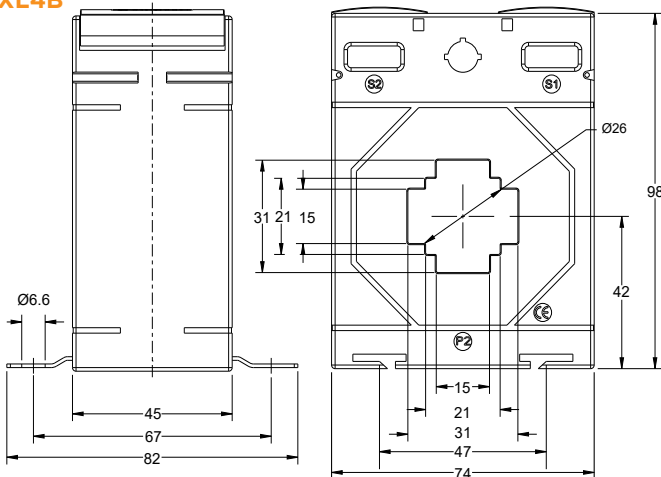
Aperture: 41 x 12.5 mm - 31 x 31 mm - Ø 35 mm

Primary Rating: 40 - 1000A

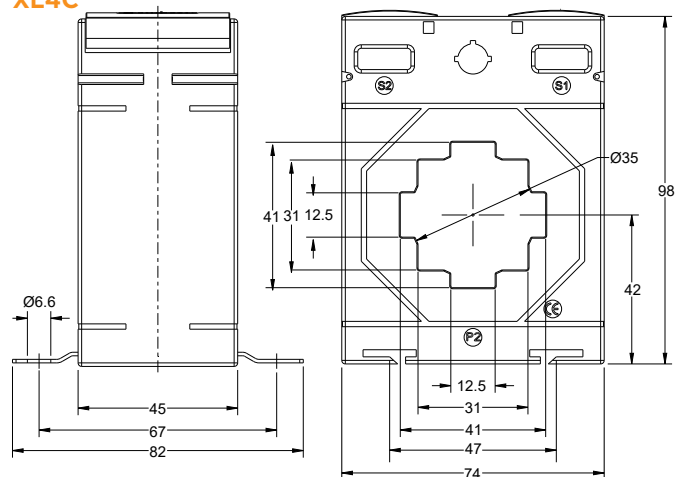
Secondary Rating: 5A as below, 1A Ratio's available change part number to end in 1A e.g. XL4C-40/1A

Model type	Primary current	Accuracy			Security Factor (ISF)		
		0.5	1	3	0.5	1	3
XL4C-40/5A	40A	-	1VA	1VA	-	5	5
XL4C-50/5A	50A	-	1.5VA	1.5VA	-	5	5
XL4C-60/5A	60A	-	1.5VA	1.5VA	-	5	5
XL4C-75/5A	75A	-	2.5VA	2.5VA	-	5	5
XL4C-80/5A	80A	-	2.5VA	2.5VA	-	5	5
XL4C-100/5A	100A	1.5VA	3.75VA	3.75VA	10	5	5
XL4C-120/5A	120A	1.5VA	2.5VA	3.75VA	10	5	5
XL4C-125/5A	125A	1.5VA	2.5VA	3.75VA	10	5	5
XL4C-150/5A	150A	3.75VA	5VA	5VA	5	5	5
XL4C-200/5A	200A	5VA	10VA	7.5VA	5	5	5
XL4C-250/5A	250A	5VA	10VA	10VA	5	5	5
XL4C-300/5A	300A	10VA	15VA	15VA	5	5	5
XL4C-400/5A	400A	10VA	15VA	15VA	5	5	5
XL4C-500/5A	500A	15VA	20VA	20VA	5	5	5
XL4C-600/5A	600A	15VA	20VA	20VA	5	5	5
XL4C-750/5A	750A	15VA	20VA	20VA	5	5	5
XL4C-800/5A	800A	15VA	20VA	25VA	5	5	5
XL4C-1000/5A	1000A	15VA	20VA	25VA	5	5	5

XL4B



XL4C





XL4D RANGE

Case size: 74 mm wide x 45 mm deep x 98 mm high
Aperture: 51 x 12.5 mm - 41 x 21 mm - 31 x 31 mm - Ø 41 mm
Primary Rating: 100 - 1000A
Secondary Rating: 5A as below, 1A Ratio's available change part number to end in 1A e.g. XL4D-100/1A

Model type	Primary current	Accuracy			Security Factor (ISF)		
		0.5	1	3	0.5	1	3
XL4D-100/5A	100A	-	1.5VA	2VA	-	5	5
XL4D-120/5A	120A	-	1.5VA	2.5VA	-	5	5
XL4D-125/5A	125A	-	1.5VA	2.5VA	-	5	5
XL4D-150/5A	150A	-	2.5VA	3.75VA	-	5	5
XL4D-200/5A	200A	1.5VA	3.75VA	5VA	5	5	5
XL4D-250/5A	250A	2.5VA	5VA	7.5VA	5	5	5
XL4D-300/5A	300A	5VA	7.5VA	7.5VA	5	5	5
XL4D-400/5A	400A	5VA	7.5VA	10VA	5	5	5
XL4D-500/5A	500A	7.5VA	10VA	12.5VA	5	5	5
XL4D-600/5A	600A	10VA	12.5VA	15VA	5	5	5
XL4D-750/5A	750A	12.5VA	15VA	20VA	5	5	5
XL4D-800/5A	800A	12.5VA	15VA	20VA	5	5	5
XL4D-1000/5A	1000A	12.5VA	15VA	20VA	5	5	5



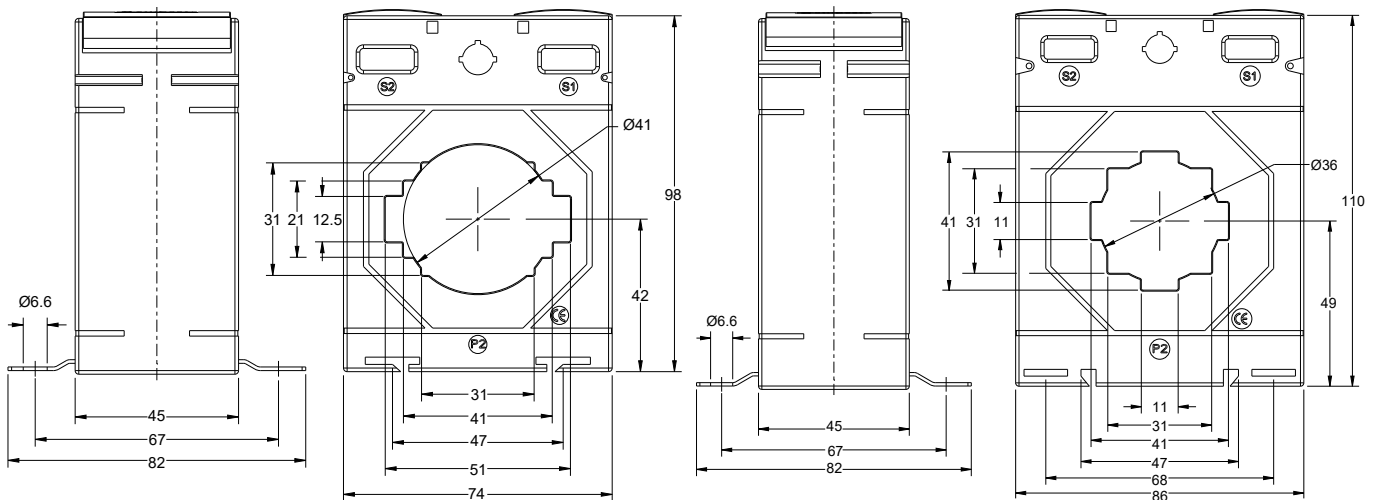
XL5A RANGE

Case size: 86 mm wide x 45 mm deep x 110 mm high
Aperture: 41 x 11 mm - 31 x 31 mm - Ø 36 mm diameter
Primary Rating: 50 - 1000A
Secondary Rating: 5A as below, 1A Ratio's available change part number to end in 1A e.g. XL5A-50/1A

Model type	Primary current	Accuracy			Security Factor (ISF)		
		0.5	1	3	0.5	1	3
XL5A-50/5A	50A	-	1.5VA	1.5VA	-	5	5
XL5A-60/5A	60A	-	1.5VA	2VA	-	5	5
XL5A-75/5A	75A	-	2.5VA	3.75VA	-	5	5
XL5A-80/5A	80A	-	2.5VA	3.75VA	-	5	5
XL5A-100/5A	100A	2.5VA	5VA	5VA	10	5	5
XL5A-120/5A	120A	2.5VA	5VA	7.5VA	10	5	5
XL5A-125/5A	125A	2.5VA	5VA	7.5VA	10	5	5
XL5A-150/5A	150A	5VA	5VA	7.5VA	10	5	5
XL5A-200/5A	200A	7.5VA	15VA	10VA	10	5	5
XL5A-250/5A	250A	7.5VA	15VA	15VA	5	5	5
XL5A-300/5A	300A	15VA	15VA	20VA	5	5	5
XL5A-400/5A	400A	15VA	20VA	25VA	5	5	5
XL5A-500/5A	500A	30VA	30VA	35VA	5	5	5
XL5A-600/5A	600A	30VA	30VA	35VA	5	5	5
XL5A-750/5A	750A	30VA	30VA	35VA	5	5	5
XL5A-800/5A	800A	30VA	30VA	35VA	5	5	5
XL5A-1000/5A	1000A	30VA	30VA	35VA	5	5	5

XL4D

XL5A





XL5B RANGE

Case size: 86 mm wide x 45 mm deep x 110 mm high

Aperture: 51 x 12.5 mm - 41 x 31 mm - Ø 46 mm

Primary Rating: 100 - 1250A

Secondary Rating: 5A as below, 1A Ratio's available change part number to end in 1A e.g. XL5B-100/1A

Model type	Primary current	Accuracy			Security Factor (ISF)		
		0.5	1	3	0.5	1	3
XL5B-100/5A	100A	1VA	1.5VA	2.5VA	10	5	5
XL5B-120/5A	120A	1.5VA	2.5VA	3.75VA	10	5	5
XL5B-125/5A	125A	1.5VA	2.5VA	3.75VA	10	5	5
XL5B-150/5A	150A	2.5VA	5VA	7.5VA	5	5	5
XL5B-200/5A	200A	5VA	7.5VA	10VA	5	5	5
XL5B-250/5A	250A	7.5VA	10VA	12.5VA	5	5	5
XL5B-300/5A	300A	7.5VA	10VA	15VA	5	5	5
XL5B-400/5A	400A	15VA	15VA	20VA	5	5	5
XL5B-500/5A	500A	15VA	20VA	20VA	5	5	5
XL5B-600/5A	600A	15VA	20VA	20VA	5	5	5
XL5B-750/5A	750A	15VA	20VA	25VA	5	5	5
XL5B-800/5A	800A	20VA	30VA	30VA	5	5	5
XL5B-1000/5A	1000A	30VA	30VA	35VA	5	5	5
XL5B-1200/5A	1200A	30VA	30VA	35VA	5	5	5
XL5B-1250/5A	1250A	30VA	30VA	35VA	5	5	5



XL5C RANGE

Case size: 86 mm wide x 45 mm deep x 110 mm high

Aperture: 61 x 12.5 mm - 51 x 31 mm - Ø 51 mm

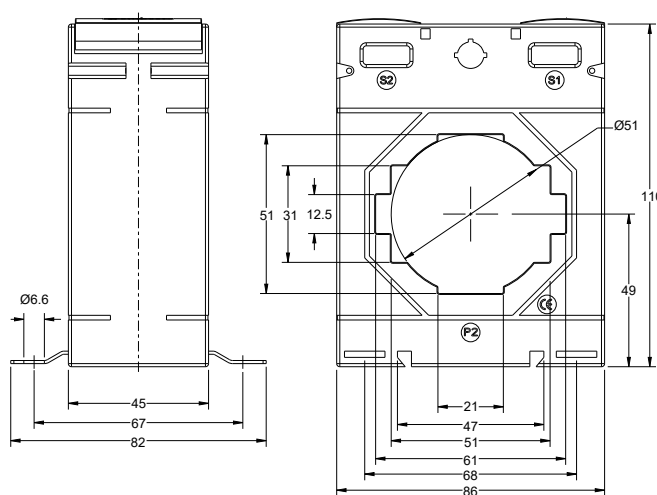
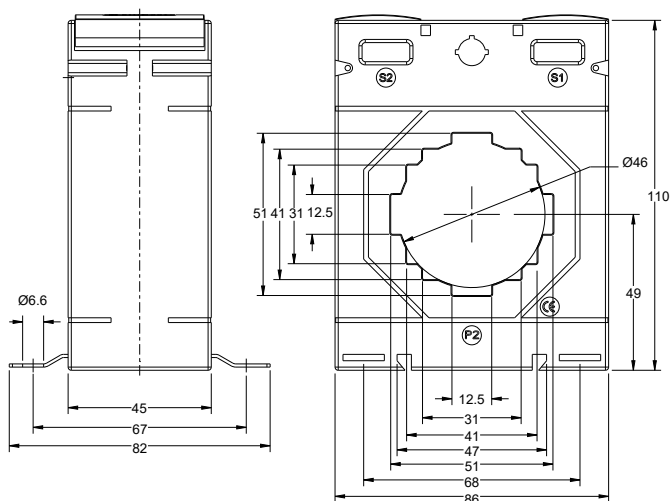
Primary Rating: 100 - 1600A

Secondary Rating: 5A as below, 1A Ratio's available change part number to end in 1A e.g. XL5C-100/1A

Model type	Primary current	Accuracy			Security Factor (ISF)		
		0.5	1	3	0.5	1	3
XL5C-100/5A	100A	-	1VA	1.5VA	-	5	5
XL5C-120/5A	120A	-	1.5VA	2.5VA	-	5	5
XL5C-125/5A	125A	-	2.5VA	3.75VA	-	5	5
XL5C-150/5A	150A	-	2.5VA	3.75VA	-	5	5
XL5C-200/5A	200A	1.5VA	3.75VA	5VA	5	5	5
XL5C-250/5A	250A	2.5VA	5VA	7.5VA	5	5	5
XL5C-300/5A	300A	5VA	7.5VA	10VA	5	5	5
XL5C-400/5A	400A	10VA	12.5VA	15VA	5	5	5
XL5C-500/5A	500A	10VA	15VA	15VA	5	5	5
XL5C-600/5A	600A	15VA	15VA	20VA	5	5	5
XL5C-750/5A	750A	15VA	20VA	25VA	5	5	5
XL5C-800/5A	800A	20VA	20VA	25VA	5	5	5
XL5C-1000/5A	1000A	20VA	30VA	25VA	5	5	5
XL5C-1200/5A	1200A	20VA	30VA	25VA	5	5	5
XL5C-1250/5A	1250A	20VA	20VA	25VA	5	5	5
XL5C-1500/5A	1500A	20VA	20VA	25VA	5	5	5
XL5C-1600/5A	1600A	20VA	20VA	25VA	5	5	5

XL5B

XL5C





XL6A RANGE

Case size: 99 mm wide x 45 mm deep x 170 mm high

Aperture: 41 x 103 mm

Primary Rating: 400 - 2500A

Secondary Rating: 5A as below, 1A Ratio's available change part number to end in 1A e.g. XL6A-400/1A

Model type	Primary current	Accuracy			Security Factor (ISF)		
		0.5	1	3	0.5	1	3
XL6A-400/5A	400A	2.5VA	5VA	5VA	10	5	5
XL6A-500/5A	500A	2.5VA	5VA	6.25VA	10	5	5
XL6A-600/5A	600A	2.5VA	5VA	7.5VA	10	5	5
XL6A-750/5A	750A	2.5VA	5VA	7.5VA	10	5	5
XL6A-800/5A	800A	5VA	10VA	10VA	10	5	5
XL6A-1000/5A	1000A	10VA	15VA	15VA	5	5	5
XL6A-1200/5A	1200A	10VA	15VA	15VA	5	5	5
XL6A-1250/5A	1250A	10VA	15VA	20VA	5	5	5
XL6A-1500/5A	1500A	15VA	30VA	30VA	5	5	5
XL6A-1600/5A	1600A	15VA	30VA	30VA	5	5	5
XL6A-2000/5A	2000A	15VA	30VA	35VA	5	5	5
XL6A-2400/5A	2400A	15VA	20VA	35VA	10	5	5
XL6A-2500/5A	2500A	15VA	30VA	35VA	10	5	5



XL6B RANGE

Case size: 99 mm wide x 45 mm deep x 170 mm high

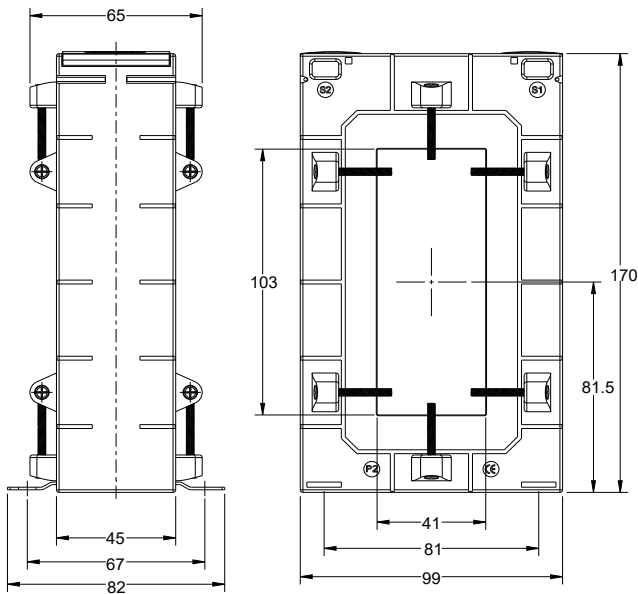
Aperture: 38 x 128 mm

Primary Rating: 400 - 3200A

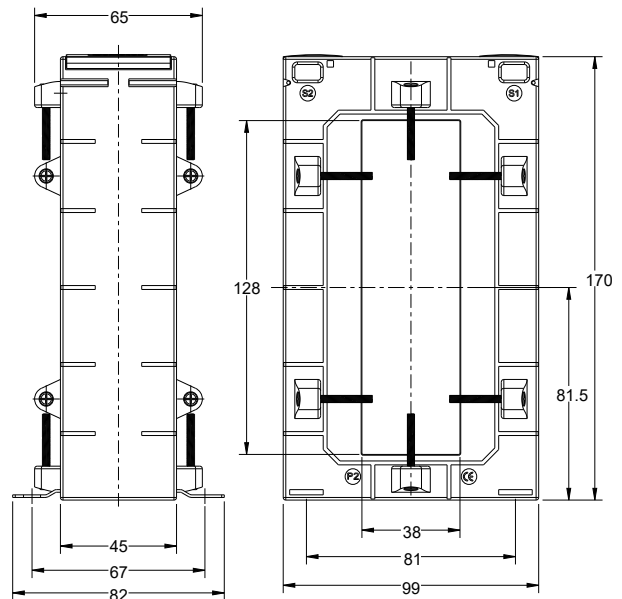
Secondary Rating: 5A as below, 1A Ratio's available change part number to end in 1A e.g. XL6B-400/1A

Model type	Primary current	Accuracy			Security Factor (ISF)		
		0.5	1	3	0.5	1	3
XL6B-400/5A	400A	2.5VA	5VA	5VA	10	5	5
XL6B-500/5A	500A	2.5VA	5VA	6.25VA	10	5	5
XL6B-600/5A	600A	2.5VA	5VA	7.5VA	10	5	5
XL6B-750/5A	750A	2.5VA	5VA	7.5VA	10	5	5
XL6B-800/5A	800A	5VA	10VA	10VA	10	5	5
XL6B-1000/5A	1000A	10VA	15VA	15VA	5	5	5
XL6B-1200/5A	1200A	10VA	15VA	15VA	5	5	5
XL6B-1250/5A	1250A	10VA	15VA	20VA	5	5	5
XL6B-1500/5A	1500A	15VA	30VA	30VA	5	5	5
XL6B-1600/5A	1600A	15VA	30VA	30VA	5	5	5
XL6B-2000/5A	2000A	15VA	30VA	35VA	5	5	5
XL6B-2500/5A	2500A	15VA	30VA	35VA	10	5	5
XL6B-3200/5A	3200A	10VA	12.5VA	35VA	10	10	5

XL6A



XL6B





XL7A RANGE

Case size: 104 mm wide x 45 mm deep x 126 mm high

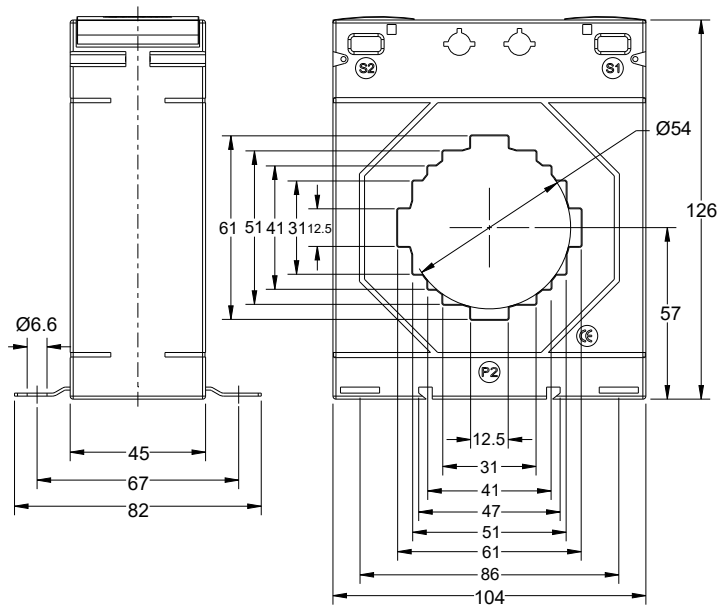
Aperture: 61 x 12.5 mm - 51 x 31 mm - 41 x 41 mm - Ø 54 mm

Primary Rating: 100 - 1600A

Secondary Rating: 5A as below, 1A Ratio's available change part number to end in 1A e.g. XL7A-100/1A

Model type	Primary current	Accuracy			Security Factor (ISF)		
		0.5	1	3	0.5	1	3
XL7A-100/5A	100A	-	1.5VA	2.5VA	-	10	5
XL7A-120/5A	120A	-	2.5VA	3.75VA	-	10	5
XL7A-125/5A	125A	-	2.5VA	3.75VA	-	10	5
XL7A-150/5A	150A	2.5VA	5VA	7.5VA	10	5	5
XL7A-200/5A	200A	5VA	10VA	12.5VA	10	5	5
XL7A-250/5A	250A	7.5VA	12.5VA	15VA	5	5	5
XL7A-300/5A	300A	10VA	15VA	15VA	5	5	5
XL7A-400/5A	400A	10VA	15VA	20VA	5	5	5
XL7A-500/5A	500A	15VA	20VA	25VA	5	5	5
XL7A-600/5A	600A	15VA	30VA	30VA	5	5	5
XL7A-750/5A	750A	20VA	30VA	35VA	5	5	5
XL7A-800/5A	800A	30VA	30VA	35VA	5	5	5
XL7A-1000/5A	1000A	30VA	45VA	45VA	5	5	5
XL7A-1200/5A	1200A	30VA	45VA	50VA	5	5	5
XL7A-1250/5A	1250A	30VA	45VA	50VA	5	5	5
XL7A-1500/5A	1500A	30VA	45VA	50VA	5	5	5
XL7A-1600/5A	1600A	30VA	45VA	50VA	5	5	5

XL7A



Busbar and Mounting feet fixings are supplied as standard.
 DIN Rail Mounting Adapters available - Part Number XL-DRBRK-3



XL7B RANGE

Case size: 104 mm wide x 45 mm deep x 126 mm high
Aperture: 81 x 12.5 mm - 61 x 31 mm - 51 x 51 mm - Ø 65 mm
Primary Rating: 200 - 2000A
Secondary Rating: 5A as below, 1A Ratio's available change part number to end in 1A e.g. XL7B-200/1A

Model type	Primary current	Accuracy			Security Factor (ISF)		
		0.5	1	3	0.5	1	3
XL7B-200/5A	200A	-	1.5VA	2.5VA	-	5	5
XL7B-250/5A	250A	1.5VA	2.5VA	3.75VA	10	5	5
XL7B-300/5A	300A	2.5VA	7.5VA	7.5VA	10	5	5
XL7B-400/5A	400A	7.5VA	10VA	10VA	5	5	5
XL7B-500/5A	500A	10VA	10VA	10VA	5	5	5
XL7B-600/5A	600A	10VA	12.5VA	12.5VA	5	5	5
XL7B-750/5A	750A	15VA	15VA	15VA	5	5	5
XL7B-800/5A	800A	15VA	15VA	15VA	5	5	5
XL7B-1000/5A	1000A	20VA	30VA	20VA	5	5	5
XL7B-1200/5A	1200A	20VA	30VA	30VA	5	5	5
XL7B-1250/5A	1250A	20VA	30VA	30VA	5	5	5
XL7B-1500/5A	1500A	20VA	30VA	30VA	5	5	5
XL7B-1600/5A	1600A	20VA	30VA	30VA	5	5	5
XL7B-2000/5A	2000A	20VA	30VA	35VA	5	5	5

Busbar and Mounting feet fixings are supplied as standard.
 DIN Rail Mounting Adapters available - Part Number XL-DRBRK-3



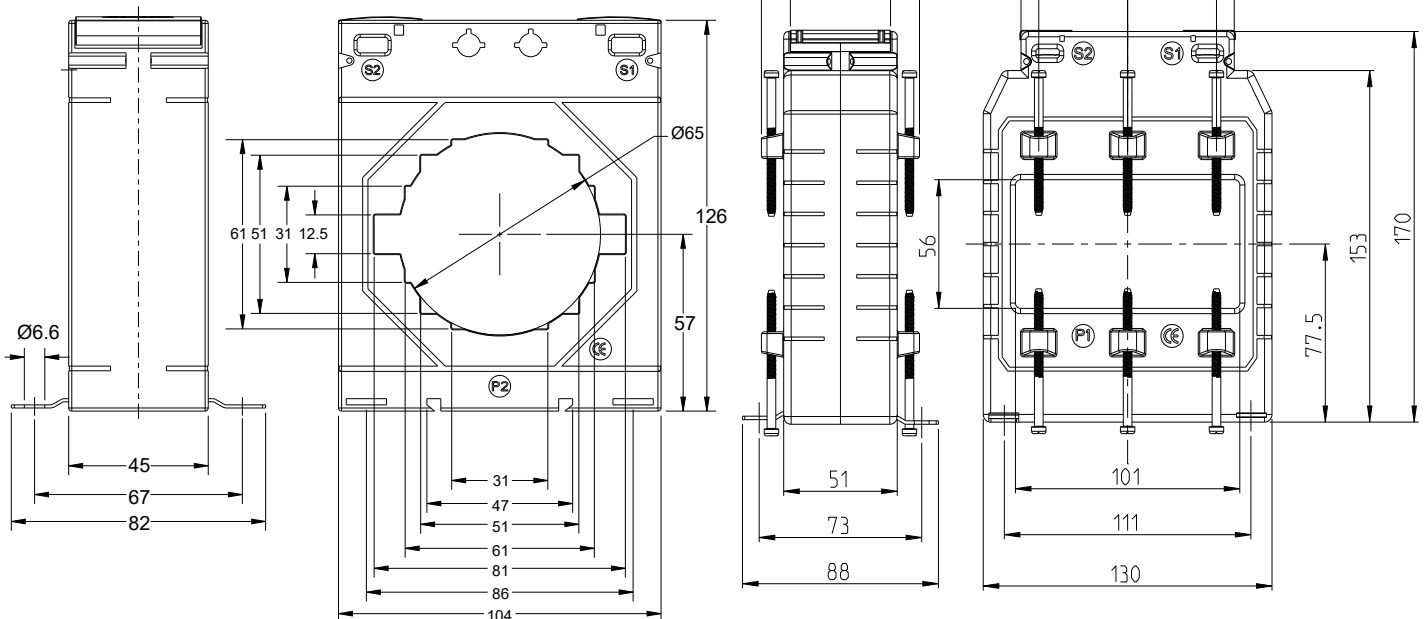
XL7C RANGE

Case size: 130 mm wide x 51 mm deep x 170 mm high
Aperture: 56 x 101 mm
Primary Rating: 600 - 3000A
Secondary Rating: 5A as below, 1A Ratio's available change part number to end in 1A e.g. XL7C-600/1A

Model type	Primary current	Accuracy			Security Factor (ISF)		
		0.5	1	3	0.5	1	3
XL7C-600/5A	600A	5VA	10VA	10VA	5	5	5
XL7C-750/5A	750A	10VA	10VA	10VA	5	5	5
XL7C-800/5A	800A	10VA	10VA	10VA	5	5	5
XL7C-1000/5A	1000A	15VA	15VA	15VA	5	5	5
XL7C-1200/5A	1200A	15VA	15VA	15VA	5	5	5
XL7C-1250/5A	1250A	15VA	15VA	15VA	5	5	5
XL7C-1500/5A	1500A	15VA	15VA	15VA	5	5	5
XL7C-1600/5A	1600A	15VA	15VA	15VA	5	5	5
XL7C-2000/5A	2000A	15VA	15VA	15VA	5	5	5
XL7C-2500/5A	2500A	15VA	15VA	15VA	10	10	5
XL7C-3000/5A	3000A	15VA	15VA	15VA	10	10	5

XL7B

XL7C





XL8A RANGE

Case size: 140 mm wide x 45 mm deep x 155 mm high

Aperture: 81 x 31 mm - 61 x 51 mm - Ø 73 mm

Primary Rating: 200 - 2000A

Secondary Rating: 5A as below, 1A Ratio's available change part number to end in 1A e.g. XL8A-200/1A

Model type	Primary current	Accuracy			Security Factor (ISF)		
		0.5	1	3	0.5	1	3
XL8A-200/5A	200A	2.5VA	5VA	7.5VA	10	5	5
XL8A-250/5A	250A	5VA	10VA	12.5VA	5	5	5
XL8A-300/5A	300A	7.5VA	15VA	15VA	5	5	5
XL8A-400/5A	400A	10VA	20VA	25VA	5	5	5
XL8A-500/5A	500A	15VA	30VA	30VA	5	5	5
XL8A-600/5A	600A	15VA	30VA	35VA	5	5	5
XL8A-750/5A	750A	15VA	45VA	45VA	5	5	5
XL8A-800/5A	800A	15VA	45VA	50VA	5	5	5
XL8A-1000/5A	1000A	30VA	60VA	60VA	5	5	5
XL8A-1200/5A	1200A	30VA	60VA	60VA	5	5	5
XL8A-1250/5A	1250A	60VA	60VA	60VA	5	5	5
XL8A-1500/5A	1500A	60VA	60VA	60VA	5	5	5
XL8A-1600/5A	1600A	60VA	60VA	60VA	5	5	5
XL8A-2000/5A	2000A	60VA	60VA	60VA	5	5	5



XL8B RANGE

Case size: 140 mm wide x 45 mm deep x 155 mm high

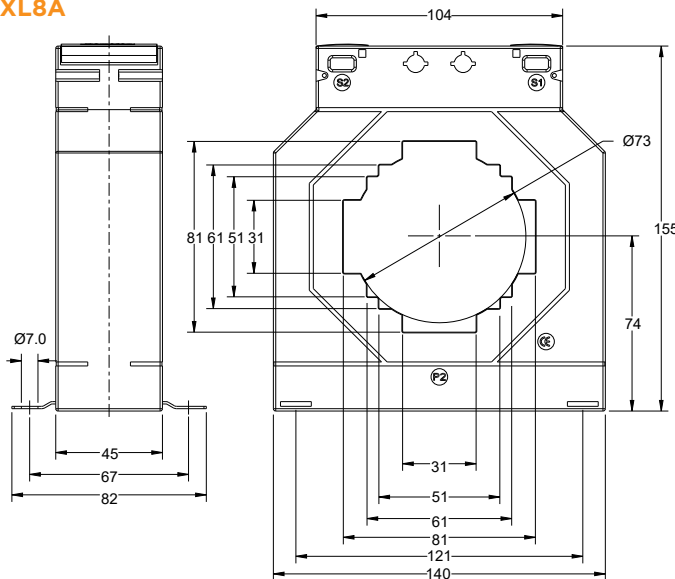
Aperture: 101 x 31 mm - 81 x 51 mm - 71 x 61 mm - Ø 86 mm

Primary Rating: 200 - 4000A

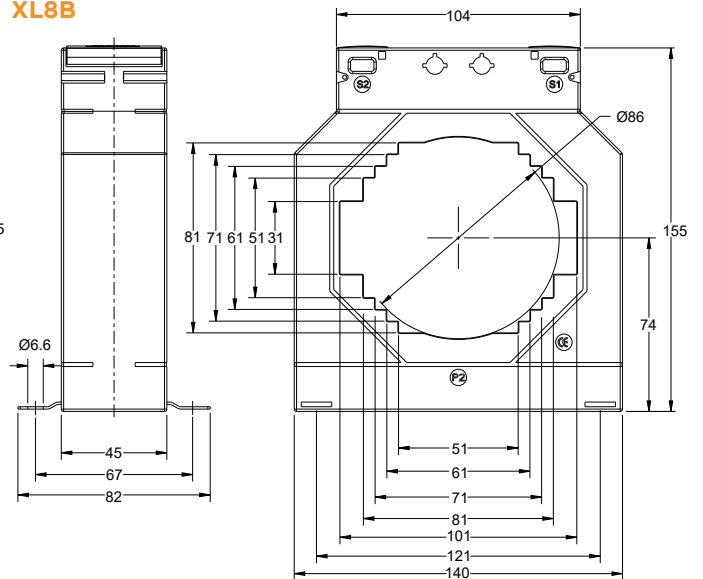
Secondary Rating: 5A as below, 1A Ratio's available change part number to end in 1A e.g. XL8B-200/1A

Model type	Primary current	Accuracy			Security Factor (ISF)		
		0.5	1	3	0.5	1	3
XL8B-200/5A	200A	1.5VA	3.75VA	5VA	10	5	5
XL8B-250/5A	250A	2.5VA	5VA	7.5VA	10	5	5
XL8B-300/5A	300A	3.75VA	7.5VA	10VA	10	5	5
XL8B-400/5A	400A	7.5VA	10VA	12.5VA	10	5	5
XL8B-500/5A	500A	10VA	12.5VA	12.5VA	10	5	5
XL8B-600/5A	600A	10VA	15VA	15VA	5	5	5
XL8B-750/5A	750A	15VA	20VA	20VA	5	5	5
XL8B-800/5A	800A	15VA	20VA	25VA	5	5	5
XL8B-1000/5A	1000A	15VA	20VA	25VA	5	5	5
XL8B-1200/5A	1200A	15VA	30VA	30VA	5	5	5
XL8B-1250/5A	1250A	15VA	30VA	35VA	5	5	5
XL8B-1500/5A	1500A	20VA	30VA	40VA	5	5	5
XL8B-1600/5A	1600A	20VA	45VA	45VA	5	5	5
XL8B-2000/5A	2000A	45VA	45VA	45VA	5	5	5
XL8B-2500/5A	2500A	45VA	45VA	45VA	5	5	5
XL8B-3000/5A	3000A	60VA	60VA	60VA	5	5	5
XL8B-4000/5A	4000A	60VA	60VA	60VA	5	5	5

XL8A



XL8B





XL8C RANGE

Case size: 140 mm wide x 45 mm deep x 155 mm high

Aperture: 31 x 101 mm - 51 x 81 mm - 61 x 71 mm - Ø 86mm

Primary Rating: 200 - 3000A

Secondary Rating: 5A as below, 1A Ratio's available change part number to end in 1A e.g. XL8C-200/1A

Model type	Primary current	Accuracy			Security Factor (ISF)		
		0.5	1	3	0.5	1	3
XL8C-200/5A	200A	1.5VA	3.75VA	5VA	10	5	5
XL8C-250/5A	250A	2.5VA	5VA	5VA	10	5	5
XL8C-300/5A	300A	3.75VA	7.5VA	10VA	10	5	5
XL8C-400/5A	400A	10VA	10VA	12.5VA	10	5	5
XL8C-500/5A	500A	10VA	12.5VA	12.5VA	10	5	5
XL8C-600/5A	600A	12.5VA	15VA	15VA	5	5	5
XL8C-750/5A	750A	15VA	20VA	20VA	5	5	5
XL8C-800/5A	800A	15VA	20VA	20VA	5	5	5
XL8C-1000/5A	1000A	15VA	20VA	20VA	5	5	5
XL8C-1200/5A	1200A	15VA	30VA	30VA	5	5	5
XL8C-1250/5A	1250A	15VA	30VA	30VA	5	5	5
XL8C-1500/5A	1500A	30VA	30VA	35VA	5	5	5
XL8C-1600/5A	1600A	45VA	45VA	45VA	5	5	5
XL8C-2000/5A	2000A	45VA	45VA	45VA	5	5	5
XL8C-2500/5A	2500A	45VA	45VA	45VA	5	5	5
XL8C-3000/5A	3000A	60VA	60VA	60VA	5	5	5



XL9A RANGE

Case size: 140 mm wide x 45 mm deep x 185 mm high

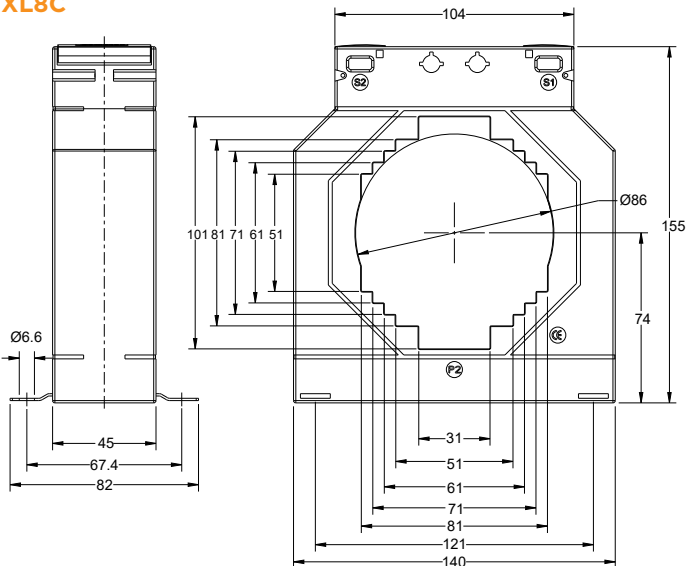
Aperture: 70 x 130 mm

Primary Rating: 400 - 5000A

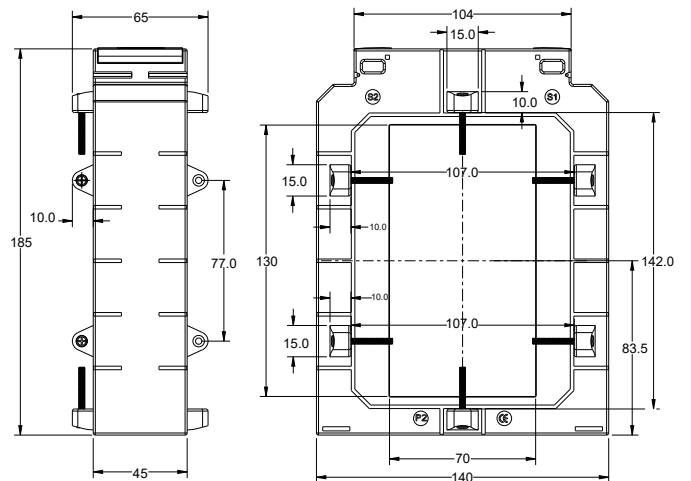
Secondary Rating: 5A as below, 1A Ratio's available change part number to end in 1A e.g. XL9A-400/1A

Model type	Primary current	Accuracy			Security Factor (ISF)		
		0.5	1	3	0.5	1	3
XL9A-400/5A	400A	3.75VA	5VA	6.25VA	10	10	10
XL9A-500/5A	500A	3.75VA	5VA	7.5VA	10	10	10
XL9A-600/5A	600A	3.75VA	5VA	7.5VA	10	10	10
XL9A-750/5A	750A	5VA	7.5VA	10VA	10	10	10
XL9A-800/5A	800A	5VA	7.5VA	10VA	10	10	10
XL9A-1000/5A	1000A	10VA	10VA	15VA	10	10	10
XL9A-1200/5A	1200A	10VA	15VA	20VA	10	10	10
XL9A-1250/5A	1250A	10VA	15VA	20VA	10	10	10
XL9A-1500/5A	1500A	15VA	15VA	20VA	10	10	10
XL9A-1600/5A	1600A	15VA	15VA	20VA	10	10	10
XL9A-2000/5A	2000A	20VA	20VA	20VA	10	10	10
XL9A-2500/5A	2500A	20VA	20VA	25VA	10	10	10
XL9A-3000/5A	3000A	20VA	20VA	25VA	10	10	10
XL9A-3200/5A	3200A	20VA	20VA	30VA	10	10	10
XL9A-4000/5A	4000A	20VA	20VA	35VA	10	10	10
XL9A-5000/5A	5000A	20VA	20VA	35VA	15	15	15

XL8C



XL9A





XL10A RANGE

Case size: 225 mm wide x 50 mm deep x 206 mm high

Aperture: 125 x 93 mm

Primary Rating: 600 - 6000A

Secondary Rating: 5A as below, 1A Ratio's available change part number to end in 1A e.g. XL10A-600/1A

Model type	Primary current	Accuracy			Security Factor (ISF)		
		0.5	1	3	0.5	1	3
XL10A-600/5A	600A	5VA	10VA	12.5VA	10	10	10
XL10A-750/5A	750A	10VA	10VA	12.5VA	10	10	10
XL10A-800/5A	800A	10VA	10VA	15VA	10	10	10
XL10A-1000/5A	1000A	10VA	15VA	15VA	10	10	10
XL10A-1200/5A	1200A	10VA	15VA	20VA	10	10	10
XL10A-1250/5A	1250A	10VA	15VA	20VA	10	10	10
XL10A-1500/5A	1500A	15VA	30VA	30VA	10	5	5
XL10A-1600/5A	1600A	15VA	30VA	35VA	10	5	5
XL10A-2000/5A	2000A	15VA	30VA	35VA	10	5	5
XL10A-2500/5A	2500A	30VA	30VA	45VA	10	5	5
XL10A-3000/5A	3000A	30VA	60VA	60VA	10	5	5
XL10A-4000/5A	4000A	45VA	60VA	60VA	10	5	5
XL10A-5000/5A	5000A	100VA	100VA	100VA	5	5	5
XL10A-6000/5A	6000A	100VA	100VA	100VA	5	5	5



XL10B RANGE

Case size: 225 mm wide x 50 mm deep x 206 mm high

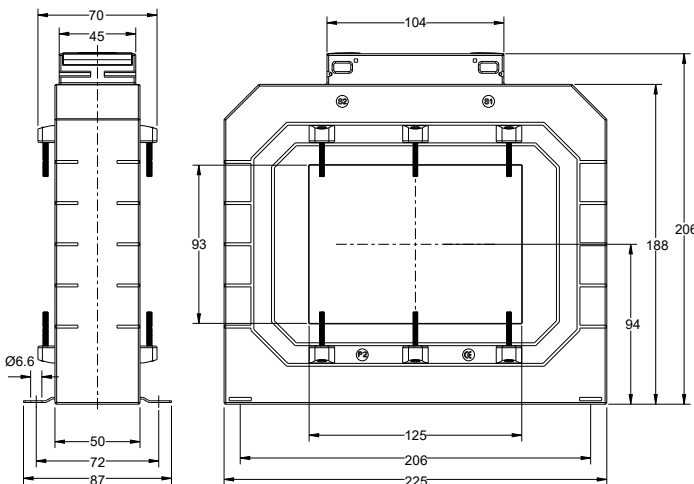
Aperture: 167 x 66 mm

Primary Rating: 1000 - 7500A

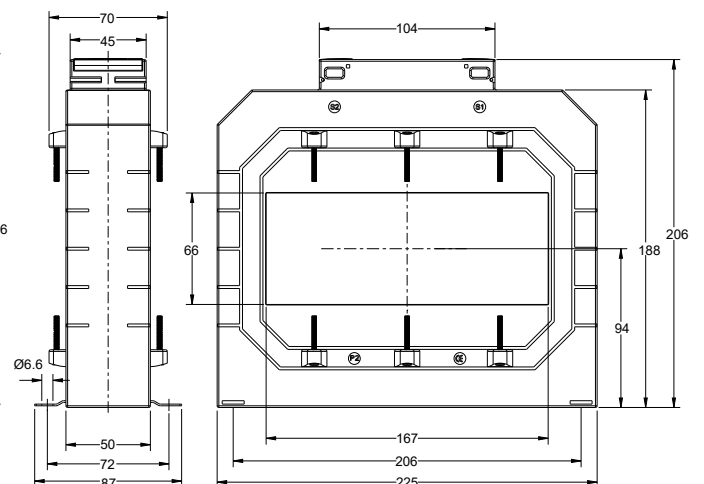
Secondary Rating: 5A as below, 1A Ratio's available change part number to end in 1A e.g. XL10B-1000/1A

Model type	Primary current	Accuracy			Security Factor (ISF)		
		0.5	1	3	0.5	1	3
XL10B-1000/5A	1000A	5VA	10VA	15VA	10	10	10
XL10B-1200/5A	1200A	10VA	15VA	20VA	10	10	10
XL10B-1250/5A	1250A	10VA	15VA	20VA	10	10	10
XL10B-1500/5A	1500A	15VA	30VA	30VA	10	5	5
XL10B-1600/5A	1600A	15VA	30VA	35VA	10	5	5
XL10B-2000/5A	2000A	30VA	30VA	35VA	10	5	5
XL10B-2500/5A	2500A	30VA	45VA	45VA	10	5	5
XL10B-3000/5A	3000A	30VA	45VA	50VA	10	5	5
XL10B-4000/5A	4000A	30VA	45VA	50VA	10	10	10
XL10B-5000/5A	5000A	30VA	45VA	50VA	10	10	10
XL10B-6000/5A	6000A	30VA	45VA	50VA	10	10	10
XL10B-7500/5A	7500A	30VA	45VA	50VA	10	10	10

XL10A



XL10B



Ebony Excel range current transformers

	XLO model		XL1 model		XL2 model					
	XLOA	XLOB	XL1A	XL1B	XL2A	XL2B	XL2C	XL2D	XL2E	XL2F
Inside Dia Ø (mm)	-	-	14	21	14	21	26	14	21	26
Busbars (mm)	-	-	-	-	-	-	30 X 10	-	-	30 X 10
	-	-	-	20 X 10	-	20 X 10	25 X 15	-	20X 10	25 X 15
Height (mm)	78	98	65	65	70	70	70	70	70	70
Width (mm)	62	74	45	45	50	50	50	50	50	51
Depth (mm)	40	45	40	40	31	31	31	51	51	52
With additional DIN rail mounting kit	-	-	✓	✓	✓	✓	✓	-	-	-
Panel or Wall Mounting	✓	✓	✓	✓	✓	✓	✓	✓	✓	✓
Busbar Mounting	-	-	✓	✓	✓	✓	✓	✓	✓	✓
Terminal Cover	✓	✓	✓	✓	✓	✓	✓	✓	✓	✓
Primary Current	1A→30A	1A→60A	30A→300A	50A→400A	40A→300A	20A→400A	20A→600A	30A→300A	50A→400A	50A→600A
Max screw torque setting (Nm)	0.75	0.75	0.75	0.75	0.75	0.75	0.75	0.75	0.75	0.75
UL Approved	N	N	Y	Y	N	N	Y	N	N	N

	XL3 model					XL4 model			
	XL3A	XL3B	XL3C	XL3D	XL3E	XL4A	XL4B	XL4C	XL4D
Inside Dia Ø (mm)	22.5	-	30.5	31	28	20.4	26	35	41
Busbars (mm)	-	-	-	-	-	-	-	-	50 X 12.5
	-	20 X 10	30 X 10	40 X 10	-	15 x 15	30 X 15	40 X 10	40 X 20
	-	15 X 15	25 X 25	30 X 20	30 X 10	20 X 10	20 X 20	30 X 30	30 X 30
Height (mm)	78	78	78	78	78	98	98	98	98
Width (mm)	62	62	62	62	62	74	74	74	74
Depth (mm)	40	40	40	40	51	45	45	45	45
With additional DIN rail mounting kit	✓	✓	✓	✓	✓	✓	✓	✓	✓
Panel or Wall Mounting	✓	✓	✓	✓	✓	✓	✓	✓	✓
Busbar Mounting	-	✓	✓	✓	✓	✓	✓	✓	✓
Terminal Cover	✓	✓	✓	✓	✓	✓	✓	✓	✓
Primary Current	50A→600A	50A→500A	50A→800A	40A→800A	40A→800A	40A→500A	40A→800A	40A→1000A	100A→1000A
Max screw torque setting (Nm)	0.75	0.75	0.75	0.75	0.75	0.75	0.75	0.75	0.75
UL Approved	N	N	N	Y	N	N	N	N	Y

	XL5 model			XL6 model		XL7 model		
	XL5A	XL5B	XL5C	XL6A	XL6B	XL7A	XL7B	XL7C
Inside Dia Ø (mm)	36	46	51	-	-	54	65	-
Busbars (mm)	-	-	-	-	-	60 X 10	80 X 10	101 X 56
	40 X 10	50 X 10	60 X 10	40 X 100	40 X 125	50 X 30	60 X 30	-
	30 X 30	40 X 30	50 X 30	-	-	40 X 40	50 X 50	-
Height (mm)	110	110	110	170	170	126	126	170
Width (mm)	86	86	86	99	99	104	104	130
Depth (mm)	45	45	45	45	45	45	45	51
With additional DIN rail mounting kit	✓	✓	✓	-	-	✓	✓	-
Panel or Wall Mounting	✓	✓	✓	✓	✓	✓	✓	✓
Busbar Mounting	✓	✓	✓	✓	✓	✓	✓	✓
Terminal Cover	✓	✓	✓	✓	✓	✓	✓	✓
Primary Current	50A→1000A	100A→1250A	100A→1600A	400A→2500A	400A→3200A	100A→1600A	200A→2000A	600→3000A
Max screw torque setting (Nm)	0.75	0.75	0.75	0.75	0.75	0.75	0.75	0.75
UL Approved	N	N	N	N	N	N	Y	N

	XL8 model			XL9 model	XL10 model	
	XL8A	XL8B	XL8C	XL9A	XL10A	XL10B
Inside Dia Ø (mm)	73	86	86	-	-	-
Busbars (mm)	-	100 X 30	30 X 100	-	-	-
	80 X 30	80 X 50	50 X 80	70 X 130	125 X 90	167 X 66
	60 X 50	70 X 60	60 X 70	-	-	-
Height (mm)	155	155	155	185	206	206
Width (mm)	140	140	140	140	225	225
Depth (mm)	45	45	45	45	50	50
With additional DIN rail mounting kit	-	-	-	-	-	-
Panel or Wall Mounting	✓	✓	✓	✓	✓	✓
Busbar Mounting	✓	✓	✓	✓	✓	✓
Terminal Cover	✓	✓	✓	✓	✓	✓
Primary Current	200A→2000A	200A→4000A	200A→3000A	400A→5000A	600A→6000A	1000A→7500A
Max screw torque setting (Nm)	0.75	0.75	0.75	0.75	0.75	0.75
UL Approved	N	N	N	N	N	N

EBONY EXCEL RANGE ACCESSORIES

Busbar Mounting Kits are supplied as standard with each Current Transformer.

The kit contains a selection of the below items based on what is required for each individual Current Transformer.

Busbar Mounting Kit Items			
M4 Busbar mounting Screws		Swivels	
Push in metal feet		Shoe for M4 Busbar mounting Screws	

Extra Busbar Mounting Kits are available to order, please see the below table

Current Transformer Model Type	Mounting Kit Order Code	Items in each Mounting Kit
XL0A, XL0B, XL1A, XL1B	XL-KIT-001	2 x Push in metal feet
XL2A, XL2B, XL2C, XL2D, XL2E, XL2F	XL-KIT-002	2 x Busbar mounting screws M4 x 35mm 2 x Push in metal feet 2 x Swivels 2 x Shoe for self tapping M4 screws
XL3A, XL3B, XL3C, XL3D, XL3E XL4A, XL4B, XL4C, XL4D XL5A, XL5B, XL5C	XL-KIT-003	2 x Busbar mounting screws M4 x 45mm 2 x Push in metal feet 2 x Swivels 2 x Shoe for self tapping M4 screws
XL6A, XL6B	XL-KIT-004	2 x Busbar mounting screws M4 x 35mm 2 x Push in metal feet 2 x Shoe for self tapping M4 screws
XL7A, XL7B, XL7C	XL-KIT-005	4 x Busbar mounting screws M4 x 45mm 2 x Push in metal feet 2 x Swivels 4 x Shoe for self tapping M4 screws
XL8A, XL8B, XL8C	XL-KIT-006	4 x Busbar mounting screws M4 x 75mm 2 x Push in metal feet 4 x Swivels 4 x Shoe for self tapping M4 screws
XL9A	XL-KIT-007	1 x Busbar mounting screw M4 x 75mm 5 x Busbar mounting screws M4 x 45mm 2 x Push in metal feet 6 x Shoe for self tapping M4 screws
XL10A, XL10B	XL-KIT-008	6 x Busbar mounting screws M4 x 75mm 2 x Push in metal feet 6 x Shoe for self tapping M4 screws

DIN Rail Mounting Adapters (available seperately)

Current Transformer Model Type	Order Code	
XL1A, XL1B	XL-DRBRK-1	
XL2A, XL2B, XL2C	XL-DRBRK-2	
XL3A, XL3B, XL3C, XL3D, XL3E XL4A, XL4B, XL4C XL4D, XL5A, XL5B, XL5C XL7A, XL7B, XL7C	XL-DRBRK-3	

Accuracy Class:- A designation assigned to a current transformer the errors of which remain within specified limit under prescribed conditions of use.

Rated Burden:- The impedance of the secondary circuit on which the accuracy requirements are based. It is usually expressed as apparent power (in VA), at the rated secondary current and at a specified power factor.

Rated Output:- The value of the apparent power (in volt-amperes at a specified power factor) which the current transformer is intended to supply to the secondary circuit at the rated secondary current and with rated burden connected to it.

Highest System Voltage:- The highest rms line to line voltage which can be sustained under normal operating conditions at any time and at any point on the system. It excludes temporary voltage variations due to fault condition and the sudden disconnection of large loads.

Rated Insulation Level:- That combination of voltage values (power frequency and lightning impulse, or where applicable, lightning and switching impulse) which characterizes the insulation of a transformer with regard to its capability to withstand by dielectric stresses. For low voltage transformer the test voltage 4kV, at power-frequency, applied during 1 minute.

Rated Short Time Thermal Current (I_{th}):- The RMS value of the primary current which the current transformer will withstand for a rated time, with their secondary winding short circuits without suffering harmful effects.

Rated Dynamic Current (I_{dyn}):- The peak value of the primary current which a current transformer will withstand, without being damaged electrically for mechanically by the resulting electromagnetic forces, the secondary winding being short-circuited.

Rated Continuous Thermal Current:- The value of current which can be permitted to flow continuously in the primary winding, the secondary windings being connected to the rated burdens, without the temperature rise exceeding the specified values.

Instrument Security Factor (ISF):- Instrument Security Factor is the ratio of Instrument Limit Primary Current to the rated Primary Current. Instrument Limit Current of a metering Current Transformer is the maximum value of primary current beyond which Current Transformer core becomes saturated. Instrument Security Factor of CT is the significant factor for choosing the metering Instruments which to be connected to the secondary of the CT. Security or Safety of the measuring unit is better, if ISF is low.

TE Connectivity Ltd. is a \$14 billion global technology and manufacturing leader creating a safer, sustainable, productive, and connected future. For more than 75 years, our connectivity and sensor solutions, proven in the harshest environments, have enabled advancements in transportation, industrial applications, medical technology, energy, data communications, and the home. With 80,000 employees, including more than 8,000 engineers, working alongside customers in approximately 140 countries, TE ensures that EVERY CONNECTION COUNTS. Learn more at www.te.com and on [LinkedIn](#), [Facebook](#), [WeChat](#) and [Twitter](#).

Generation

- Conventional Power
- Nuclear Power
- Wind/Solar
- Hydro-electric

Transmission & Distribution

- Substation
- Underground
- Overhead
- Street Lighting

Industry

- Mining
- Petrochemical
- Railway
- Shipbuilding

WHEREVER ELECTRICITY FLOWS, YOU'LL FIND TE ENERGY



te.com/energy

FOR MORE INFORMATION: TE Technical Support Centres

USA: +1 800 327 6996
UK: +44 870 870 7500
Australia: +61 1300 656 090
Singapore: +65 6590 5151
Hong Kong: +852 2790 9609

crompton-instruments.com

© 2018 TE Connectivity Ltd. family of companies. All Rights Reserved. EPP-3257-06/21

TE Connectivity, the TE connectivity (logo) and Crompton Instruments are trademarks of the TE Connectivity Ltd. family of companies. Other logos, product and Company names mentioned herein may be trademarks of their respective owners. While TE has made every reasonable effort to ensure the accuracy of the information in this brochure, TE does not guarantee that it is error-free, nor does TE make any other representation, warranty or guarantee that the information is accurate, correct, reliable or current. TE reserves the right to make any adjustments to the information contained herein at any time without notice. TE expressly disclaims all implied warranties regarding the information contained herein, including, but not limited to, any implied warranties of merchantability or fitness for a particular purpose. The dimensions in this brochure are for reference purposes only and are subject to change without notice. Specifications are subject to change without notice. Consult TE for the latest dimensions and design specifications.